



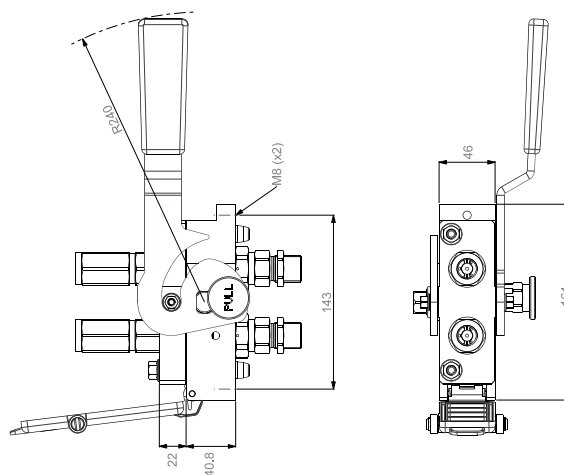
MF PC206

MultiFaster 2 lines, size 06.

MultiFaster compact. It allows connection with mobile plate or stand-alone counterpart couplings, 2 lines 3/8". The disconnection of stand-alone counterpart couplings is made by dedicated push buttons. This feature can be extended to all MultiFaster range.



Applications



Technical Specifications

| dash | Size | | Working Pressure (MPa) | Flow Rate (l/min) | Spillage (ml) | Burst pressure (MPa) | | |
|------|------|------|------------------------|-------------------|---------------|----------------------|--------|---------------|
| | mm | inch | | | | Male | Female | Male + Female |
| 06 | 10 | 3/8" | 25 | 40 | 0.008 | 100 | 100 | 100 |

| | |
|----------------------|--------------------------------|
| Material | Aluminium; Steel |
| Seals | NBR; PUR |
| Working temperatures | - 25 °C to + 100 °C |
| Surface treatment | MATE 500 (CrIII); Paint |

| | |
|---------------------------|-------------------------|
| Valve Type | Flat |
| Connection | Lever |
| Disconnection | Lever |
| Connection Under Pressure | Allowed Residual |



PC206

| Size | | | | | Thread Type | | | | | FIXED |
|------|----|------|---------|---------------------|-------------|--------------|---------------------------------|------------------------|----------------|------------------|
| dash | mm | inch | Housing | Number of Couplings | Thread Type | Standard | Thread | Electrical Connector N | Connector Type | Part Number |
| 06 | 10 | 3/8" | 2 | 2 | 07/METRIC | ISO 8434-1-L | M22X1.5 MALE BULKHEAD SHORT 15L | | | 2PC206-2-7/22 FC |

| Size | | | | | Thread Type | | | | | MOBILE |
|------|----|------|---------|---------------------|-------------|------------|-----------------|------------------------|----------------|-----------------|
| dash | mm | inch | Housing | Number of Couplings | Thread Type | Standard | Thread | Electrical Connector N | Connector Type | Part Number |
| 06 | 10 | 3/8" | 2 | 2 | F BSP | ISO 1179-1 | BSP 3/8" FEMALE | | | 3PC206-2-38G MC |

Spare Parts & Accessories

| Female Half | | | | Male Half | | | | | |
|-------------|-------|------------|-------------|-----------|------------|--------|--------------|--------------|---------|
| Plates | Lever | Dust cover | Safety Lock | Plates | Seals male | Screws | Plugs | Guiding pins | Docking |
| | | | | | SK MF 38 | | KIT TSP 12 M | | |

